

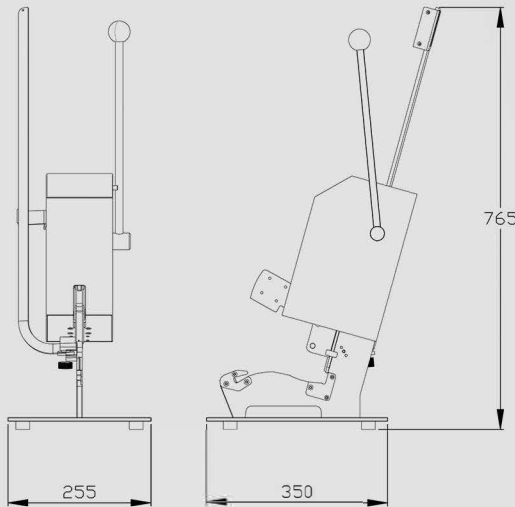


GENERAL FEATURES

NET WEIGHT//	13Kg	
DIMENSIONES//	255 x 350 x 765mm	
CLIPS MAGAZINE//	300	
BLADE//	Manual	
CLIP SIZE//	12/14/16	16/18/20
	CP-MC12	CP-MC16

TECHNICAL FEATURES

- Hand operated machine for closing natural casing, artificial casing, bags or nets.
 - Minimum effort to get a perfect clip locking.
 - Standard unit equipped with manual blade.
 - Removable clips magazine without tools for an easier and faster cleaning.
- Firm but gentle casing gatherer that guarantees the right treatment to each type of casing.
 - The firmness of the closure can be adjusted to each particular casing material.
 - The stroke limit is set by means of adjusting knob.



CP-MC12/16

MANUAL CLIPPER